

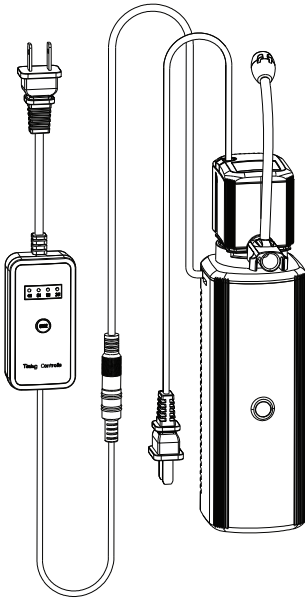


**Aqua
Miracle**

Instruction Manual

Aquarium Filter with UV Clarifier

**SV-500 SV-800
SV-1000 SV-1200**



WARNING: This appliance contains a UVC emitter. Unintended use of the appliance or damage to the housing may result in the escape of dangerous UVC radiation. UVC radiation may, even in little doses, cause harm to the eyes and skin.

NEVER LOOK DIRECTLY AT THE UNSHIELDED LAMP OR EXPOSE YOUR SKIN TO THE UV LIGHT AS UV RADIATION IS HARMFUL.

ALWAYS DISCONNECT THE FILTER FROM POWER SOURCE DURING MAINTENANCE OF THE UV LAMP.

Thanks for buying our product. To ensure you use the product safely and correctly, please read carefully and thoroughly this instruction.

Please note that we are not responsible for any failure caused by misuse or improper maintenance.

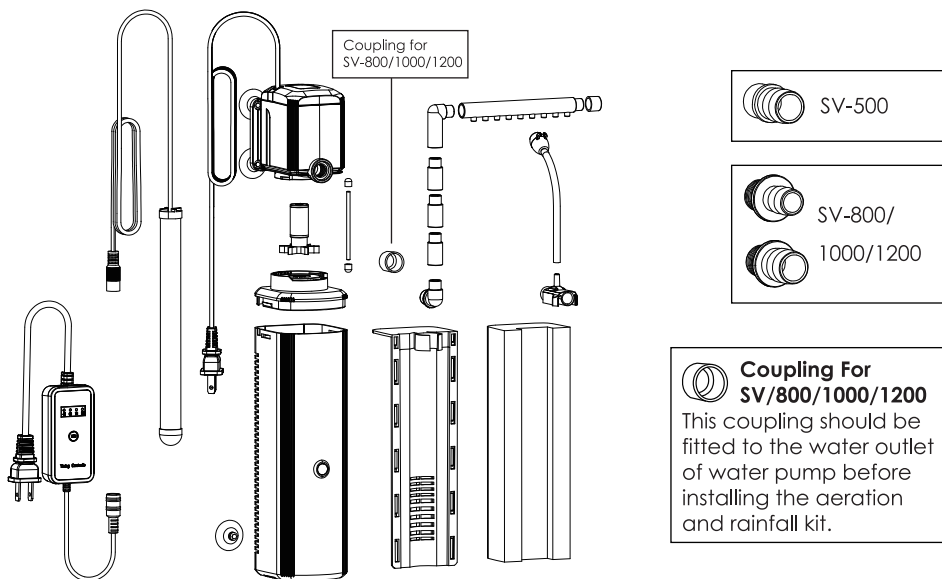
SAVE THIS INSTRUCTION FOR FUTURE USE.

Important Safety Cautions

1. Please operate the appliance under the rated voltage and frequency indicated on the rating label or instruction manual.
2. A 10mA or 30mA residual current device must be fitted to the mains supply.
3. The power cord is not replaceable. If the power cord or the plug is found hurt or damaged, or the plug is found aged, stop using the product immediately and discard it.

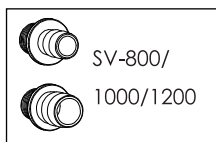
Do not attempt to shorten the power cord, or to remove the plug. Failure to meet this point may cause damage to the product.
4. If abnormal smell or noise is found to the product, unplug it immediately and check the cause. Contact your retailer /distributor if needed.
5. Make sure your hand and the plug are dry when plug in or unplug the product. It is forbidden to plug or unplug the product with a wet hand as this might cause electric shock.
6. Unplug the product before installation and maintenance. Don't pull the power cord abruptly. To unplug, grasp the plug and pull it out from the receptacle.
7. Protect properly the product. If severe collision happens to the product, check if there is any damage. If there is any breakage, stop using the product and destroy it.
8. Do not let the pump run dry as this will damage the rotor and will cause over-heating of the motor.
9. Do not use the pump in inflammable or corrosive liquids. The pump should work in the environment less than 40°C (104F).
10. Do not operate or leave the product in freezing conditions.

Product Diagram

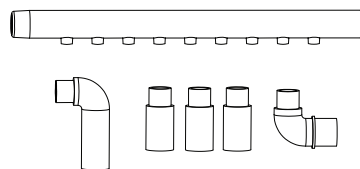


Assemble the Product

1. Make sure the components are complete as shown in the diagram above.
2. Choose which mode you prefer to use the product. There are 3 modes of operation – Regular / Aeration / Rainfall.



Aeration



Rainfall

Regular

Regular Mode – you only need to install the water outlet to the water pump.

Important – the coupling

Note that for SV-800/1000/1200, the coupling should be fitted to the water outlet of the water pump before fitting the aeration and the rainfall kit.

Aeration Mode – Press fit the water outlet with the air venturi to the water pump. Fit the air tubing to the air venturi, then fit the other end to the air regulator. Fix the air regulator to the power cord. Make sure the air regulator is in the upward position.

Rainfall Mode – Assemble as shown in the "Product Diagram", then fit to the outlet of the water pump. Note that for the best efficiency, the spray bar should be **above** water level. However, the pump should always be **below** water level.

Install the Product

When the assembly is done, use the suction cups to attach the filter to the glass of your tank.

IMPORTANT NOTE:

The pump should always be FULLY SUBMERGED in water. Otherwise, the pump will be damaged because of dry running.

Timer for the UV lamp

The timer comes with 4 options of timing – 4/8/12/24 hours. Press to select the duration that you expect the UV lamp to work a day.

In the initial days it is suggested to set the lamp to work for 24 hours, then set to work less time when the water becomes clear for routine algae control.

Maintenance

1. Water Pump

This pump is free from lubricants or special maintenance. However, to keep the pump operates in the best condition, regular maintenance and cleaning is needed.

To clean the pump,

- Hold the pump with one hand, hold the filter housing with another hand, turn counterclockwise to release the filter housing from the pump body.
- Carefully take out the impellor/rotor assembly.
- Wash out all of the components in clean water. Do not use detergents or other chemical cleaners.
- Reassemble the pump in the reverse order.

Clean the pump at least once every 2-3 months. More frequent cleaning might be needed depending on the water condition.

For wearing parts like the impellor kit, approach the local retailer / distributor for replacement. You need to pay for the wearing parts if the pump has been used for over 1 year.

How to disassemble the filter housing

Release the lock between the pump and the filter housing. Then press the filter housing front and back with one hand, and pull the tab in the back of the housing with the thumb of the other hand.

Then take out the bracket out for cleaning of the UV lamp and filter sponge.

2. Filter Sponge

- Maintenance

The filter sponge should be cleaned at least once a month. Rinse with clean water by squeezing the sponge repeatedly.

- Replacement

Suggest replacing the filter sponge every 2-3 months.

3. UV Lamp

- Maintenance

The surface of the quartz glass of the UV lamp should be cleaned regularly to keep the clarity so that the UV light works most efficiently in terms of algae control.

- Replacement

Basically, the UV lamp is recommended to replace every 12 months. Depending on how long you use the UV lamp per day, the frequency may be longer or shorter. If the water has a significant reduction in clarity, you should change the UV lamp.

4. Troubleshooting

The pump doesn't pump water

- The pump is not started up.
- The power doesn't match the voltage and frequency specified on the pump.
- Water inlet or outlet is blocked.
- Impellor or rotor is damaged.

Water flow is reduced

- The voltage is lower than the rated voltage.

- Water inlet or outlet is partially blocked.
- Wastes are accumulated in the filtering system.

The pump is noisy

- Water inlet is partially blocked.
- Water level is lower than the inlet of the pump.
- Air enters into the pump to cause noise.
- Rotor is worn (need to be replaced)

The water is not clear

- Clean the filter sponge.
- Clean the surface of the quartz glass of the UV lamp.
- Replace the UV lamp.

Most importantly, customers' satisfaction is always our target. We are standing behind our products. Don't hesitate to seek for your local retailer / distributor's help if the above troubleshooting can't resolve the problems.

Technical Data

MODEL	FREQ. /VOLT.	POWER	MAX FLOW	MAX HEADHEIGHT
SV-500	120V/60Hz	6W	130GPH	6W
SV-800		8W	225GPH	6W
SV-1000		12W	300GPH	8W
SV-1200		15W	400GPH	10W

1 YEAR STANDARD WARRANTY

This product is guaranteed for defective parts and workmanship for a period of 1 year from the date of purchase. This guarantee is valid with proof of purchase only. The guarantee is limited to repair or replacement only and does not cover consequential loss, loss or damage to livestock and personal property or damage to animate or inanimate objects, irrespective of the cause thereof. This guarantee is valid only under normal operating conditions for which the unit is intended. It excludes any damage caused by unreasonable use, negligence, improper installation, tampering, abuse or commercial use. The warranty does not cover wear and tear, breakage of glass or parts which have not been adequately or correctly maintained.

Customer Service:
aquamiraclesales@gmail.com