

Instruction Manual

All-in-one Waterfall Kit WK-18 / WK-12 / WK-08

Thanks for buying our waterfall kit. To ensure you use the product safely and correctly, please read carefully and thoroughly this instruction.

Please note that we are not responsible for any failure caused by misuse or improper maintenance.

SAVE THIS INSTRUCTION FOR FUTURE USE.

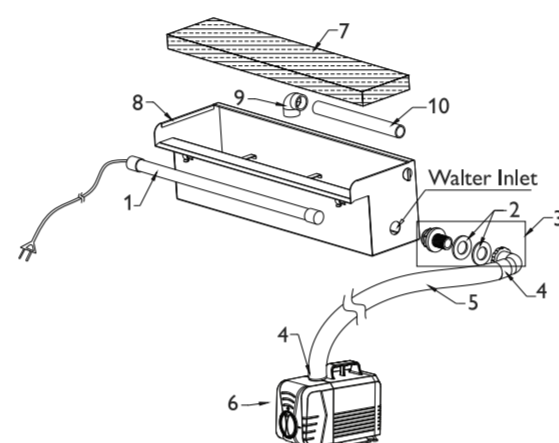
Important Safety Cautions

1. Please operate the appliance under the rated voltage and frequency indicated on the rating label or instruction manual.
2. A 10mA or 30mA residual current device must be fitted to the mains supply.
3. The power cord is not replaceable. If the power cord or the plug is found hurt or damaged, or the plug is found aged, stop using the pump immediately. Return the pump to the retailer/distributor for disposal, or dispose it by yourself.
4. If abnormal smell or noise is found to the pump, unplug it immediately and check the cause. Contact your retailer / distributor if needed.

Do not attempt to shorten the power cord, or to remove the plug. Failure to meet this point may cause damage to the pump.

5. Make sure your hand and the plug are dry when plug in or unplug the pump. It is forbidden to plug or unplug the pump with a wet hand as this might cause electric shock.
6. Unplug the pump before installation and cleaning. Don't pull the power cord abruptly. To unplug, grasp the plug and pull it out from the receptacle.
7. Protect properly the pump. If severe collision happens to the pump, check if there is any damage. If there is any breakage, stop using the pump and destroy it.
8. Do not let the pump run dry as this will damage the rotor and will cause over-heating of the motor.
9. Do not operate or leave the pump in freezing conditions.
10. Do not use the pump in inflammable or corrosive liquids. The pump should work in the environment less than 35 C (95F).

Product Structure Diagram

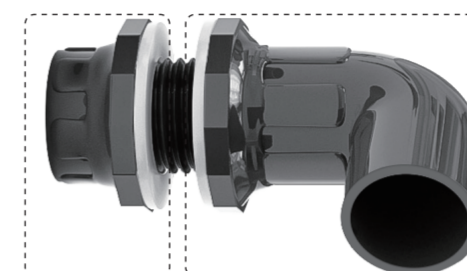


Components:

- | | |
|------------------------------------|---------------------------------|
| 1- LED light (with remote control) | 6- Water pump |
| 2- Sealing rings (2pcs) | 7- Sponge |
| 3- Hose adapter | 8- Waterfall spillway |
| 4- Hose clamp | 9- Elbow (for WK-18 only) |
| 5- Corrugated hose | 10- Water Pipe (for WK-18 only) |

Assembly of the Waterfall Kit

1. Take all the components out. Make sure no components are missed according to the diagram above. Note that a mesh bag and a remote controller are also included in the package.
2. Take the sponge out from the spillway. Then install the hose adapter to the round hole (Water Inlet) at the side of the spillway. Follow the instruction below:



There are 2 sealing rings in the package. It is very important that a sealing ring should be placed at both the inside and outside of the spillway hole. The nut should be firmly tightened to avoid leakage.

Important for WK-18: This model comes with an elbow and a pipe. Connect the elbow and pipe, then fit it to the "inside spillway" part of the above diagram. Face the elbow to the sides instead of upward or downward.

This elbow and pipe help distribute incoming water more evenly so that water flows out smoother.

3. Fit the corrugated hose to the above adapter and tighten with the hose clamp.
4. Put the sponge back to the inside of the spillway.

Note: the sponge works as a "stabilizer" of the water as when water enters the spillway, there will be turbulence, which will cause the waterfall not smooth. The sponge helps relieve the turbulence so that the waterfall is smooth and more beautiful.

5. Then install another hose adapter to the water pump. Fit the corrugated hose to the adapter. Then firmly tighten with the hose clamp.

6. Put the water pump into the mesh bag. The mesh bag works as a prefilter to the pump to stop large size waste such as water plant and tree leaves from entering the pump to cause jamming of the impeller.

7. The LED light is pre-installed under the spillway lip.

IMPORTANT: RF Pairing - The LED light is controlled with a RF controller. Before using, the controller should be "paired" with the receiver. Plug in to the power socket, turn on the switch on the receiver on the line close to the plug. Pull off the film at the bottom of the controller and press ON until you see the LED light flashes, which means the pairing is successful. Then choose the color / mode you prefer.

Installation of the Waterfall Kit

There are many ways of creating a beautiful waterfall. Check with an expert or follow the instructions on internet to find your favorite option. Pay attention to the points below.

1. Make sure the spillway is positioned in a leveled place. In the meanwhile, the place should be easily accessed for maintenance.
2. The water pump should be fully submerged in water and be placed in the mid-way of the water level. Avoid putting the pump at the bottom of the pond as the accumulated waste at the bottom may enter the pump to cause jamming of the impeller. Put a brick in the pond, then put the water pump on the brick is a good option.

Maintenance

How often should the maintenance to be implemented?

It depends on the environment in your pond. If obvious loss of

flow is observed to the waterfall, it is time to do the maintenance.

Sponge

Simply take out the sponge and clean it.

Water Pump

This pump is free from lubricants or special maintenance. However, to keep the pump operates in the best condition, regular maintenance and cleaning is needed. It is recommended to maintain the pump at least once half year. However, if loss of flow is found to the waterfall, the water pump should be maintained.

Do not pull the power cord to lift the pump as this may cause damage to the power cord.

To clean the pump, follow the steps below.

1. Release the hose clamp and remove the corrugated hose from the pump.
2. Remove the impellor cover by turning counterclockwise to release the lock. Gently pull away the impeller cover from the motor body. Make sure the O-rings are not missed.
3. Carefully take out the impellor/rotor assembly.
4. Wash out all of the components in clean water. Do not use detergents or other chemical cleaners.
5. Reassemble the pump in the reverse order.

- For wearing parts like the impellor kit, approach the local retailer / distributor for replacement. You need to pay for the wearing parts if the pump has been used for over 1 year.

Troubleshooting

The pump doesn't pump water

- The pump is not started up.
- The power doesn't match the voltage and frequency specified on the pump.

- Water inlet or outlet is blocked.
- Impellor or rotor is damaged.

Water flow is reduced.

- The voltage is lower than the rated voltage.
- Impeller or rotor gets worn out and needs to be replaced.
- The sponge is dirty and should be cleaned.

The pump is noisy

- Water inlet is partially blocked.
- Water level is lower than the inlet of the pump. Air enters into the pump to cause noise.
- Rotor is worn (need to be replaced)

Seek for your local retailer / distributor's help if the above troubleshooting can't resolve the problems

Product Specifications

Model	WK-18	WK-12	WK-08
Freq./Volt	120V/60Hz	120V/60Hz	120V/60Hz
Power	55W	40W	40W
Max. Flow	800GPH	660GPH	660GPH
Max. Headheight	10ft	9ft	9ft
Spillway Dimension	18"x5.3"x5.2"	12"x4.2"x5.2"	8"x4.2"x5.2"

1 YEAR STANDARD WARRANTY

This product is guaranteed for defective parts and workmanship for a period of 1 year from the date of purchase. This guarantee is valid with proof of purchase only. The guarantee is limited to repair or replacement only and does not cover consequential loss, loss or damage to livestock and personal property or damage to animate or inanimate objects, irrespective of the cause thereof. This guarantee excludes any damage caused by unreasonable use, negligence, improper installation, tampering, abuse or commercial use.