

200*200mm



Instruction Manual

6 in 1 Aquarium Cleaning Kit

SKU: 10017
Model: CT01

TENYON

Shenzhen Tenyon Technology Co., Ltd.

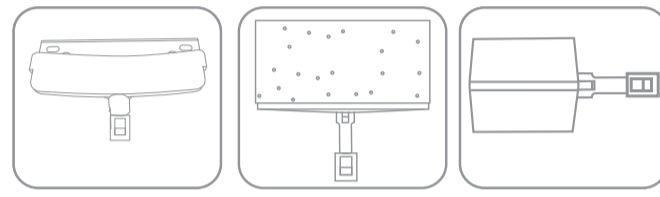
Thanks for buying this product. To ensure you use the product safely and correctly, please read thoroughly this instruction before use.

Please note that we are not responsible for any failure caused by misuse or improper maintenance. Save this instruction for future use.

Installation Instructions

● 6 changeable heads

This product includes 6 changeable heads for different purposes.

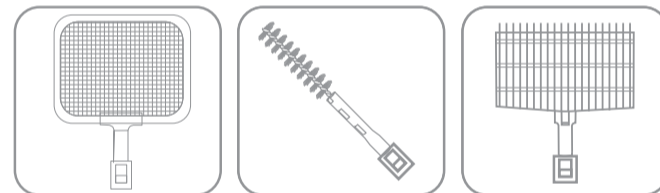


1. Blade for algae removing

2. Flat Sponge for glass surface cleaning

3. Right-angle Sponge for corner cleaning

Caution:
The flat and right-angle sponge is made of nano material, which is able to remove the dirt very efficiently. Because of its physical property, DO NOT USE TOO MUCH STRENGTH, OR TWIST THE SPONGE as this will cause it to break. The correct way is only to do the cleaning in one direction



4. Fish Net for removal of fish or taking out the excrements or fish food residues

5. Tube brush for cleaning the inside of tube / hose

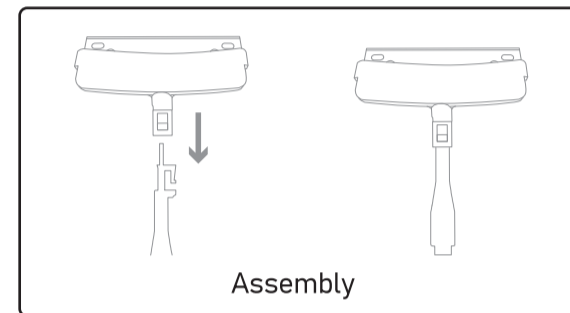
6. Gravel shaper for shaping of gravel when you decorate your aquarium or clean the gravel

Note there is also an L shape screwdriver in the package, which is used to adjust the angle of the Flat Sponge and the Right-angle Sponge.

● Assembly / Disassembly of the Heads

Simply align as the figure below and insert the bolt of the handle to the heads.

For the blade, make sure the blade cover is removed before use. BE CAREFUL AS THE BLADE IS SHARP.



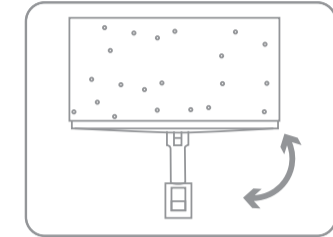
Assembly

To make the change of the heads, press the "neck" of the heads (the part pointed by the arrow) and remove the heads from the handle.



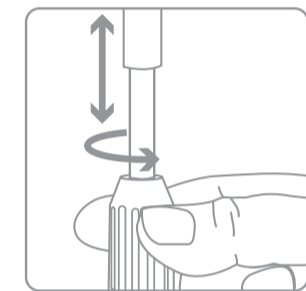
Disassembly

● Adjusting angle of the flat and right-angle sponge



The angle of the flat sponge and the right-angle sponge is adjustable. To adjust, use the L shape screwdriver to loosen the screw, adjust the sponge to the desired angle, then fasten the screw.

● Adjust the length of the handle



The handle is telescopic. Turn the nut counterclockwise to loosen the screw and adjust the handle to the desired length.

Customer Service

Any questions? Please contact us at skab@foxmail.com.